

CL0509I-6DACTLA

Acacia Evolution

Acacia E Round Vessel basin WT

STYLE SEGMENT

- Modern

KEY SPECIFICATIONS

- Installation Type: Vessel
- Product Dimensions: 400 x 400 x 183
- Material: Vitreous China
- Color: White
- Overflow Hole: With
- Faucet Ledge: No
- Included Components: Overflow Plug, Installation Template



SHIPPING WEIGHT

- Net Weight: 8.85
- Gross Weight: 9.76

KEY TECHNOLOGIES AND FEATURES

HYGIENE

- Proguard

COMFORT

- Complies with American Standard Quality Standards

CONVENIENCE

- Complies with American Standard Quality Standards

DURABILITY

- Complies with American Standard Quality Standards

SUSTAINABILITY

- Complies with American Standard Quality Standards

SAFETY

- Complies with American Standard Quality Standards

OTHERS

- NIL

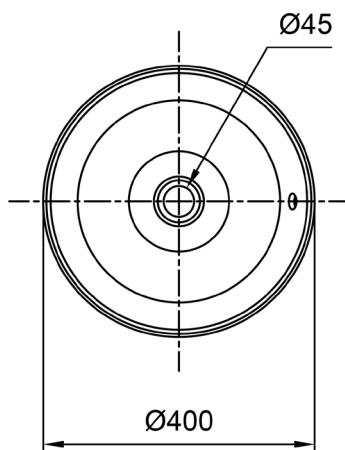
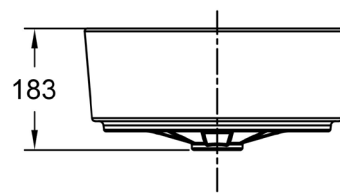
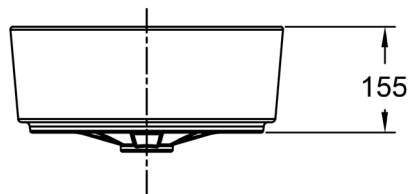
STANDARDS AND CERTIFICATIONS

- TIS-791:2554(2011)

CL0509I-6DACTLA

Acacia Evolution

Acacia E Round Vessel basin WT



CL0509I-6DACTLA

Acacia Evolution

Acacia E Round Vessel basin WT

Item	Description	Acacia E Round Vessel 400 mm
Installations	Type	Vessel
Dimensions	Product (mm)	400 x 400 x 183
Material & Color	Material	Vitreous China
	Color	White
Features	Overflow Hole	With
	Faucet Ledge	No
Components	Included	Overflow Plug, Installation Template
Shipping	Net Weight (kg)	8.85
	Gross Weight (kg)	9.76
	Product Weight (kg)	9.9
	Dimensions (mm)	429 x 422 x 209